



Flap Barrier F05

OVERVIEW

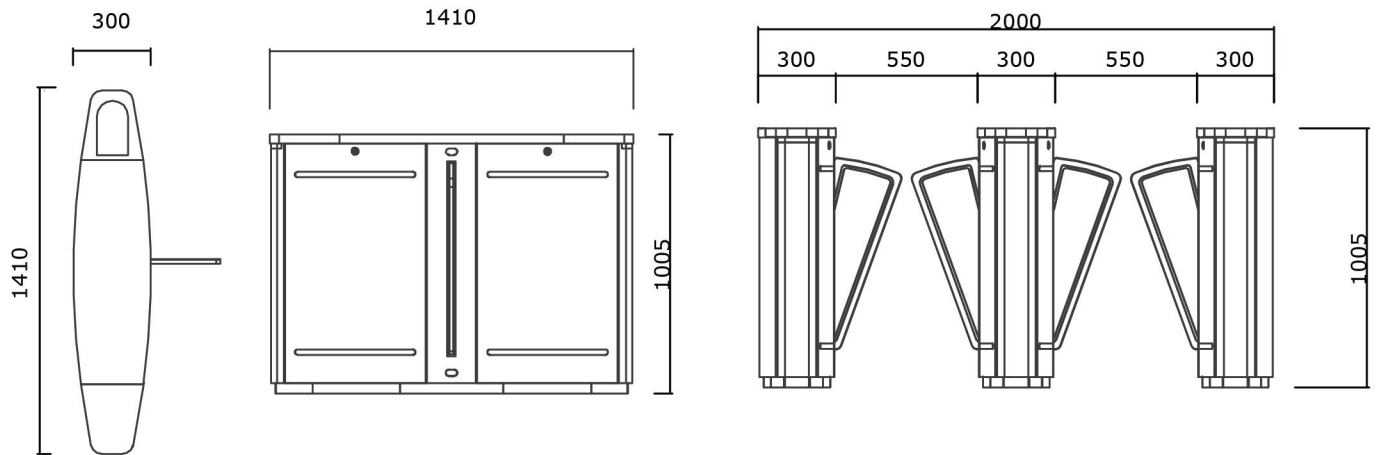
Flap barriers have two flaps on either side that serve as physical barriers, limiting pedestrian access into a venue. The housing material and lightweight cabinet shape makes SecuGo flap barriers security turnstiles suitable for a large variety of facilities.

With photoelectric sensors in the passageway, SecuGo flap barriers reliably detect persons and objects. They enable non-contact passage and raise the alarm on unauthorized use of the gate.

The barriers turn green when the lane is ready for use and red when the barriers are closing or an alarm has been triggered: The visitor immediately recognizes whether to enter the lane or wait for assistance.

KEY FEATURES

- Premium materials (SUS304, 1.5mm thickness)
- Support 100% duty cycle
- Support non-contact pass through
- Flexible to mount different readers
- Easy installation



TECHNICAL DATA

Housing dimension	1410*300*990 mm
Passage width	550 mm
Throughput rate	35 p/m
MCBF	5,000,000
Power supply	100~240 Vac, 50/60 Hz
Operational voltage	24 Vdc
Max power consumption	35 W
Communication interface	RS485, Dry contact
Working temperature	-25 to +70 °C
Gross weight	100 kg(single core unit), 125 kg (double core unit)

Hanwang Technology Co., Ltd

Address: Hanvon Tower, ZhongGuanCun, Software Park, Beijing, China, Postcode: 100193

Tel: +86-10-82786682 Fax: +86-10-82786862

Email: facego_inquiry@hanwang.com.cn Http: www.hanvon.com