



## ***Automatic Tripod Turnstile T03A***

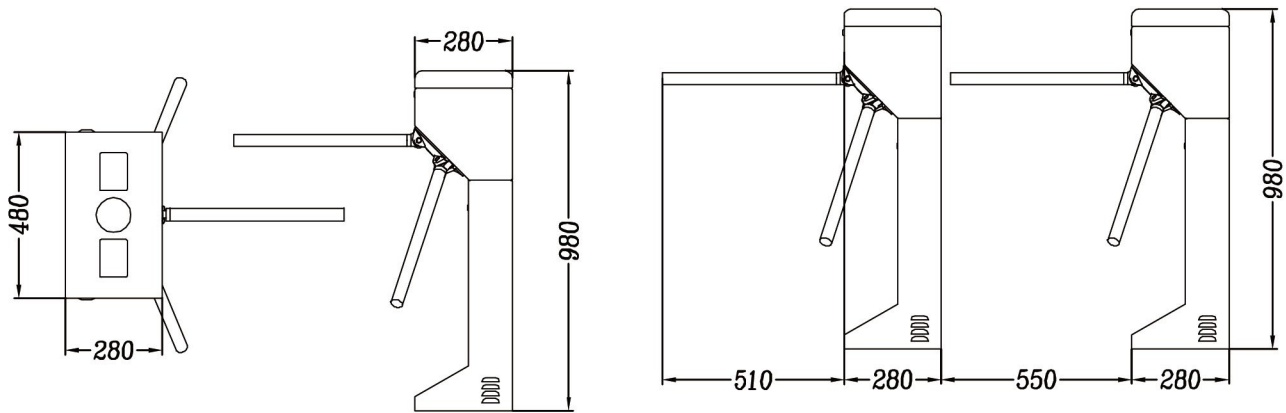
### **OVERVIEW**

Designed for indoor or outdoor use, tripod turnstiles are the most economical and safe way to protect certain areas of restricted access and their use extends to any type of commercial, official or private enclosure. They can easily be integrated with any electronic system for access control, time attendance or ticketing.

Comparing with traditional solenoid mechanism, SecuGo automatic tripod turnstiles can provide better user experience. Arms will rotate automatically once power is on and one of them will reach horizontal position. People push the arm with a little strength after mechanism is released, and arms will automatically rotate forward by motor power until the next arm arrives in home position.

### **KEY FEATURES**

- Premium materials (SUS304, 1.5mm thickness)
- Smooth, quiet rotation (motorized mechanism)
- Flexible to mount different readers
- Easy installation



## TECHNICAL DATA

Housing dimension	480*280*980 mm
Passage width	550 mm
Throughput rate	35 p/m
MCBF	5,000,000
Power supply	100~240 Vac, 50/60 Hz
Operational voltage	24 Vdc
Max power consumption	35 W
Communication interface	RS485, Dry contact
Working temperature	-25 to +70 °C
Gross weight	56 kg

### Hanwang Technology Co., Ltd

**Address:** Hanvon Tower, ZhongGuanCun, Software Park, Beijing, China, Postcode: 100193

**Tel:** +86-10-82786682 **Fax:** +86-10-82786862

**Email:** facego\_inquiry@hanwang.com.cn **Http :** //www.hanvon.com

Specification subject to change without notice in advance. Copyright© Hanwang Technology Co.,Ltd All rights reserved. The trademarks identified herein are the trademarks of or registered trademarks of Hanwang Technology Co.,Ltd or other third party.